



# OWNER'S MANUAL

## JOVS-10 Oscillating Spindle Sander



### WMH TOOL GROUP

Consumer/Light Industrial Products Division  
P.O. BOX 1349  
Auburn, WA 98071-1349  
Ph: 1-800-274-6848 • Fax: 1-800-274-6840  
E-mail: [jet@wmhtoolgroup.com](mailto:jet@wmhtoolgroup.com)  
[www.wmhtoolgroup.com](http://www.wmhtoolgroup.com)

M-708411 11/02  
Copyright © WMH Tool Group

This manual has been prepared for the owner and operators of a JOVS-10 Sander. Its purpose, aside from machine operation, is to promote safety through the use of accepted correct operating and maintenance procedures. Completely read the safety and maintenance instructions before operating or servicing the machine. To obtain maximum life and efficiency from your JET Sander, and to aid in using the machine safely, read this manual thoroughly and follow instructions carefully.

## **Warranty & Service**

The WMH Tool Group warrants every product it sells. If one of our tools needs service or repair, one of our Authorized Repair Stations located throughout the United States can give you quick service.

In most cases, any one of these WMH Tool Group Repair Stations can authorize warranty repair, assist you in obtaining parts, or perform routine maintenance and major repair on your JET, Performax, Wilton, or Powermatic tools.

For the name of an Authorized Repair Station in your area, please call 1-800-274-6848, or visit [www.wmhtoolgroup.com](http://www.wmhtoolgroup.com)

## **More Information**

Remember, the WMH Tool Group is consistently adding new products to the line. For complete, up-to-date product information, check with your local WMH Tool Group distributor, or visit [www.wmhtoolgroup.com](http://www.wmhtoolgroup.com)

## **WMH Tool Group Warranty**

The WMH Tool Group (including Performax, Wilton and Powermatic brands) makes every effort to assure that its products meet high quality and durability standards and warrants to the original retail consumer/purchaser of our products that each product be free from defects in materials and workmanship as follow: **1 YEAR LIMITED WARRANTY ON ALL PRODUCTS UNLESS SPECIFIED OTHERWISE.** This Warranty does not apply to defects due directly or indirectly to misuse, abuse, negligence or accidents, normal wear-and-tear, repair or alterations outside our facilities, or to a lack of maintenance.

THE WMH TOOL GROUP LIMITS ALL IMPLIED WARRANTIES TO THE PERIOD SPECIFIED ABOVE, FROM THE DATE THE PRODUCT WAS PURCHASED AT RETAIL. EXCEPT AS STATED HEREIN, ANY IMPLIED WARRANTIES OR MERCHANTABILITY AND FITNESS ARE EXCLUDED. SOME STATES DO NOT ALLOW LIMITATIONS ON HOW LONG THE IMPLIED WARRANTY LASTS, SO THE ABOVE LIMITATION MAY NOT APPLY TO YOU. THE WMH TOOL GROUP SHALL IN NO EVENT BE LIABLE FOR DEATH, INJURIES TO PERSONS OR PROPERTY, OR FOR INCIDENTAL, CONTINGENT, SPECIAL, OR CONSEQUENTIAL DAMAGES ARISING FROM THE USE OF OUR PRODUCTS. SOME STATES DO NOT ALLOW THE EXCLUSION OR LIMITATION OF INCIDENTAL OR CONSEQUENTIAL DAMAGES, SO THE ABOVE LIMITATION OR EXCLUSION MAY NOT APPLY TO YOU.

To take advantage of this warranty, the product or part must be returned for examination, postage prepaid, to an Authorized Repair Station designated by our office. Proof of purchase date and an explanation of the complaint must accompany the merchandise. If our inspection discloses a defect, we will either repair or replace the product, or refund the purchase price if we cannot readily and quickly provide a repair or replacement, if you are willing to accept a refund. We will return repaired product or replacement at JET'S expense, but if it is determined there is no defect, or that the defect resulted from causes not within the scope of JET'S warranty, then the user must bear the cost of storing and returning the product. This warranty gives you specific legal rights; you may also have other rights which vary from state to state.

The WMH Tool Group sells through distributors only. Members of the WMH Tool Group reserve the right to effect at any time, without prior notice, those alterations to parts, fittings, and accessory equipment which they may deem necessary for any reason whatsoever.

 **WARNING**

**Wear eye protection.**

**Always keep guards in place and in proper operating condition. Do not operate the machine without the guards for any reason.**

**This sander is intended to be used with wood and wood products only. Use of this sander and a dust collector with metal products is a potential fire hazard.**

**Support the workpiece adequately at all times during operation; maintain control of the work at all times.**

**This sander is designed and intended for use by properly trained and experienced personnel only. If you are not familiar with the proper and safe operation of a sander, do not use until proper training and knowledge has been obtained.**

- **REMOVE ADJUSTING KEYS AND WRENCHES.** Form a habit of checking to see that keys and adjusting wrenches are removed from the machine before turning it on.
- **KEEP THE WORK AREA CLEAN.** Cluttered areas and benches invite accidents.
- **DON'T USE IN A DANGEROUS ENVIRONMENT.** Don't use power tools in damp or wet locations, or expose them to rain. Keep work area well lighted.
- **KEEP CHILDREN AWAY.** All visitors should be kept a safe distance from the work area.
- **MAKE THE WORKSHOP KIDPROOF** with padlocks, master swatches, or by removing starter keys.
- **DON'T FORCE THE MACHINE.** It will do the job better and safer at the rate for which it was designed.
- **USE THE RIGHT TOOL.** Don't force a machine or attachment to do a job for which it was not designed.
- **USE THE PROPER EXTENSION CORD.** Make sure your extension cord is in good condition. When using an extension cord, be sure to use one heavy enough to carry the current your machine will draw. An undersized cord will cause a drop in the line voltage resulting in power loss and overheating. The table following shows the correct size to use depending on the cord length and nameplate ampere rating. If in doubt, use the next heavier gauge. Remember, the smaller the gauge number, the heavier the cord.

<b>Volts</b>	<b>Total Length of Cord in Feet</b>	
120V	25	50
	<b>AWG</b>	
	16	14

- **WEAR PROPER APPAREL.** Do not wear loose clothing, gloves, neckties, rings, bracelets, or other jewelry which may get caught in moving parts. Non-slip footwear is recommended. Wear protective hair covering to contain long hair.
- **ALWAYS USE SAFETY GLASSES.** Also use face or dust masks if the cutting operation is dusty. Everyday eyeglasses only have impact resistant lenses; they are not safety glasses.
- **DON'T OVERREACH.** Keep proper footing and balance at all times.
- **MAINTAIN TOOLS WITH CARE.** Keep tools sharp and clean for best and safest performance. Follow instructions for lubricating and changing accessories.

- **ALWAYS DISCONNECT THE MACHINE FROM THE POWER SOURCE BEFORE SERVICING.**
- **REDUCE THE RISK OF UNINTENTIONAL STARTING.** Make sure the switch is in the off position before plugging in.
- **USE RECOMMENDED ACCESSORIES.** The use of accessories and attachments not recommended by JET may cause hazards or risk of injury to persons.
- **NEVER STAND ON A MACHINE.** Serious injury could occur if the machine is tipped.
- **CHECK DAMAGED PARTS.** Before further use of the machine, a guard or other part that is damaged should be carefully checked to determine that it will operate properly and perform its intended function - check for alignment of moving parts, binding of moving parts, breakage of parts, mounting, and any other conditions that may affect its operation. A guard or other part that is damaged should be properly repaired or replaced.
- **NEVER LEAVE THE MACHINE RUNNING UNATTENDED. TURN POWER OFF.** Don't leave the machine until it comes to a complete stop.
- **SOME DUST CREATED** by power sanding, sawing, grinding, drilling and other construction activities contains chemicals known to cause cancer, birth defects or other reproductive harm. Some examples of these chemicals are:
  - Lead from lead based paint
  - crystalline silica from bricks and cement and other masonry products, and
  - arsenic and chromium from chemically-treated lumber.
- Your risk from those exposures varies, depending on how often you do this type of work. To reduce your exposure to these chemicals: work in a well ventilated area, and work with approved safety equipment, such as those dust masks that are specifically designed to filter out microscopic particles
- **DO NOT** operate tool while under the influence of drugs, alcohol or any medication.
- **AVOID** kickback by sanding in accordance with directional arrows.
- **DO NOT** sand pieces of material that are too small to be safely supported.
- **WHEN** sanding a large workpiece, provide additional support at table height.
- **ADDITIONAL INFORMATION** regarding the safe and proper operation of this product is available from the National Safety Council, 1121 Spring Lake Drive, Itasca, IL 60143-3201, in the Accident Prevention Manual for Industrial Operations and also in the safety Data Sheets provided by the NSC. Please also refer to the American National Standards Institute ANSI 01.1 Safety Requirements for Woodworking Machinery and the U.S. Department of Labor OSHA 1910.213 Regulations.
- **SAVE THESE INSTRUCTIONS** refer to them often and use them to instruct others.

## Grounding Instructions

**Caution: This tool must be grounded while in use to protect the operator from electric shock.**

In the event of a malfunction or breakdown, grounding provides a path of least resistance for electric current to reduce the risk of electric shock. This tool is equipped with an electric cord having an equipment-grounding conductor and a grounding plug. The plug must be plugged into a matching outlet that is properly installed and grounded in accordance with all local codes and ordinances.

Do not modify the plug provided. If it will not fit the outlet, have the proper outlet installed by a qualified electrician.

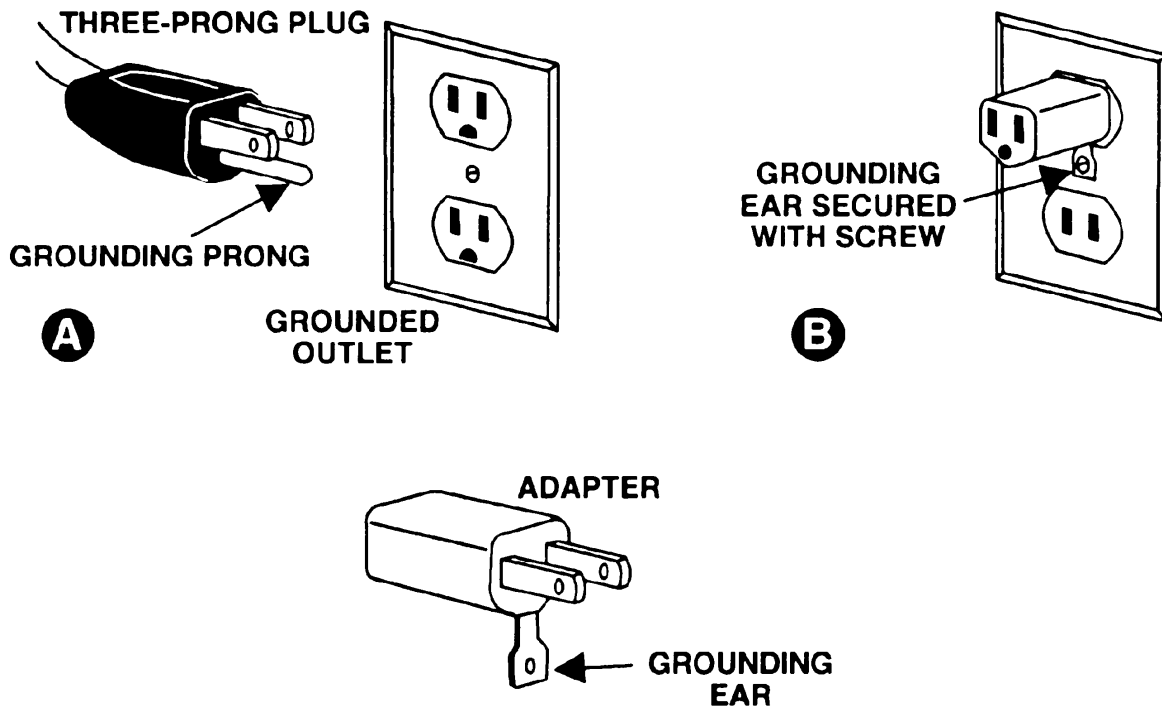
Improper connection of the equipment-grounding conductor can result in a risk of electric shock. The conductor, with insulation having an outer surface that is green with or without yellow stripes, is the equipment-grounding conductor. If repair or replacement of the electric cord or plug is necessary, do not connect the equipment-grounding conductor to a live terminal.

Check with a qualified electrician or service personnel if the grounding instructions are not completely understood, or if in doubt as to whether the tool is properly grounded. Use only three wire extension cords that have three-prong grounding plugs and three-pole receptacles that accept the tool's plug.

Repair or replace a damaged or worn cord immediately.

### 115 Volt Operation

As received from the factory, your sander is ready to run at 115 volt operation. This sander, when wired for 115 volt, is intended for use on a circuit that has an outlet and a plug that looks like the one illustrated in (A). A temporary adapter, which looks like the adapter as illustrated in (B), may be used to connect this plug to a two-pole receptacle, as shown in (B) if a properly grounded outlet is not available. The temporary adapter should only be used until a properly grounded outlet can be installed by a qualified electrician. **This adapter is not applicable in Canada.** The green colored rigid ear, lug, or tab, extending from the adapter, must be connected to a permanent ground such as a properly grounded outlet box, as shown in (B).



## Specifications

JOVS-10

Stock Number.....	708411
Table Size .....	24"W x 24"L
Table Tilt (down) .....	45°
Dust Chute Diameter .....	4"
Spindle Speed (RPM) .....	1,725
Oscillations Per Minute .....	75
Length of Oscillation .....	1-1/2"
Motor (TEFC).....	1HP, 1Ph
.....	115V Only
Net Weight (approx.).....	298 Lbs.

## Table of Contents

Page No.

Warranty.....	2
Warnings .....	3-4
Grounding Instructions.....	5
115V Operation .....	5
Specifications .....	6
Table of Contents .....	6
Contents of the Shipping Container.....	7
Tools Required for Assembly & Adjustments.....	7
Unpacking .....	7
Mounting Sanding Sleeves .....	8
Installing Sanding Assemblies.....	8
Removing Sanding Assemblies.....	8
Table Insert .....	9
Sanding Assembly 90° to Table .....	9
Replacing Sanding Sleeves .....	10
Dust Collection .....	10
Maintenance.....	10
Troubleshooting.....	11
Breakdown and Parts List .....	12-17
Wiring Diagram.....	18

The specifications in this manual are given as general information and are not binding. The WMH Tool Group reserves the right to effect, at any time and without prior notice, changes or alterations to parts, fittings, and accessory equipment deemed necessary for any reason whatsoever.

## Contents of the Shipping Container

1. Sander
3. Table Insert Rings
2. Spindle Wrenches
  1. 2mm Hex Wrench
- 10 Removable Spindles
  - 1/4" x 5" Steel and Sanding Sleeve
  - 3/8" x 6" Steel and Sanding Sleeve
  - 1/2" x 6" Steel and Sanding Sleeve
  - 5/8" x 6" Steel and Sanding Sleeve
  - 3/4" x 9" Steel and Sanding Sleeve
  - 1" x 9" Rubber and Sanding Sleeve
  - 1-1/2" x 9" Rubber and Sanding Sleeve
  - 2" x 9" Rubber and Sanding Sleeve
  - 3" x 9" Rubber and Sanding Sleeve
  - 4" x 9" Rubber and Sanding Sleeve
- 1 Owner's Manual
- 1 Warranty Card

## Tools Required for Assembly & Adjustments

1. 26mm Wrench or Large Adjustable Wrench
1. 6mm Hex Wrench
1. Square

 **WARNING**

**Read and understand the entire contents of this manual before attempting assembly or operation of the sander!**

**Failure to comply may cause serious injury!**

## Unpacking

1. Remove all contents from shipping carton.
2. Report any damage to your distributor.
3. Do not discard any shipping material until the sander has been assembled and is running properly.
4. With help from another person move the sander off of the pallet and into the desired position.
5. Remove the protective coating found on the table with a putty knife and a cleaning solvent that will not damage painted surfaces.

**Note:** Now is a perfect time to set your sander up on a mobile base. It will make life easier in the woodshop. JET has a Heavy Duty Universal Mobile Base that will fit this sander. JET also has a variety of Dust Collectors and Air Filtration Units that will work nicely with your new sander.



## Mounting Sanding Sleeves

1. Thoroughly clean the arbors (A, Fig. 1) on all of the spindle assemblies. Also clean the arbor housing on the sander.
2. Slip the sanding sleeve (B, Fig. 1) over the spindle and hold in place by tightening the set screw (C, Fig. 1) with the supplied 2mm hex wrench.
3. Repeat for all of the steel spindle assemblies.
4. To protect the sanding assemblies place them in the holders found on the sides of the sander, see Figure 2.

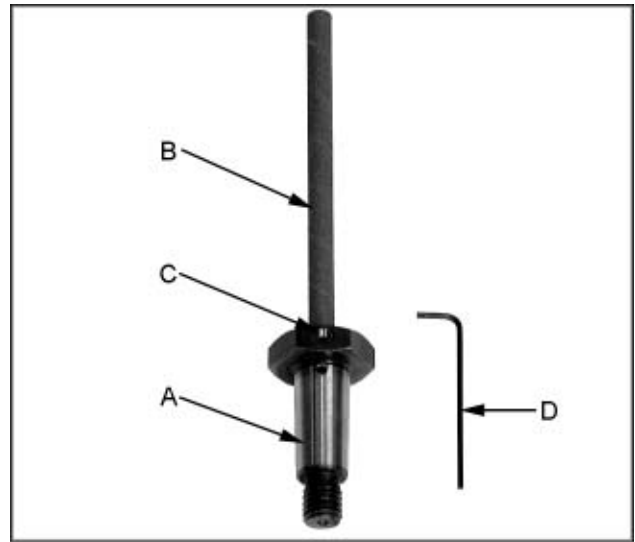


Fig. 1

## Installing Sanding Assemblies

**⚠ WARNING**

**Disconnect the sander from the power source when installing or removing sanding assemblies.**

**Failure to comply may cause serious injury!**

1. Thoroughly clean the arbor and arbor housing before installing the sanding assemblies.
2. Thread the arbor (A, Fig. 3) into the arbor housing (B, Fig. 3).
3. Use the provided wrenches to hold the lower arbor housing nut (C, Fig. 3) while turning the arbor nut (D, Fig. 3) clockwise.



Fig. 2

## Removing Sanding Assemblies

1. **Disconnect the sander from the power source, unplug.**
2. Use the provided wrenches to hold the upper arbor housing nut (E, Fig. 3) while turning the arbor nut (D, Fig. 3) counter-clockwise.

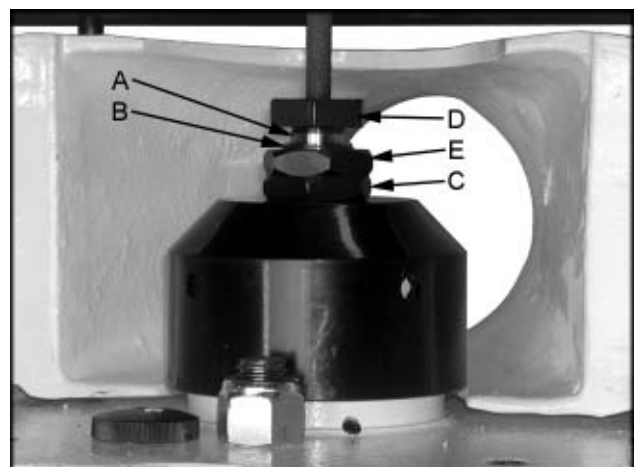


Fig. 3



### Table Insert

1. **Disconnect the sander from the power source, unplug.**
2. Choose the insert (A, Fig. 4) that most closely matches the diameter of the sanding drum.
3. Line up the notch in the insert with the spring pin in the table (B, Fig. 4), and press in place.
4. Remove the insert by pressing up from underneath. **Note:** Keep the opening in the table clean so that the insert can be easily put in place, and removed.

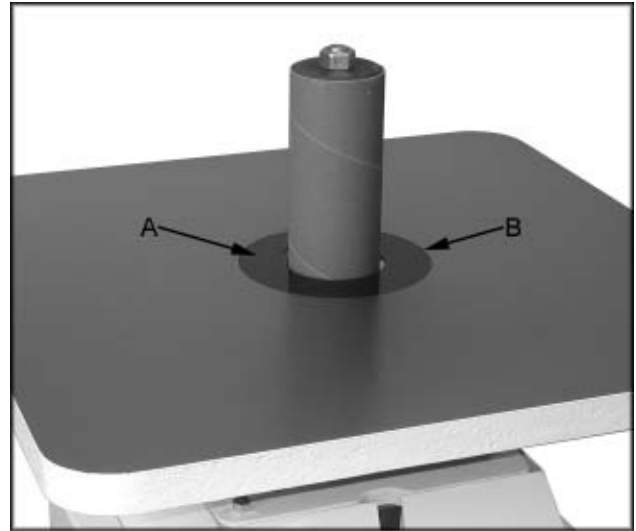


Fig. 4

### Sanding Assembly 90° to Table

1. Loosen the lock knobs (C, Fig. 5) on trunnions and position the table so that it rests against the 90° stop (D, Fig. 6). Tighten lock knobs.
2. Place a square (E, Fig. 5) on the working side of the table, and make sure the sanding drum is perpendicular to the table.
3. If an adjustment needs to be made loosen the hex nut (F, Fig. 6).
4. Loosen lock knobs.
5. Rotate the 90° stop in the appropriate direction until the table rests 90° to the sanding drum.
6. Tighten the hex nut while holding the stop.
7. Adjust pointer (G, Fig. 6) so that it indicates the "0" position on the scale.

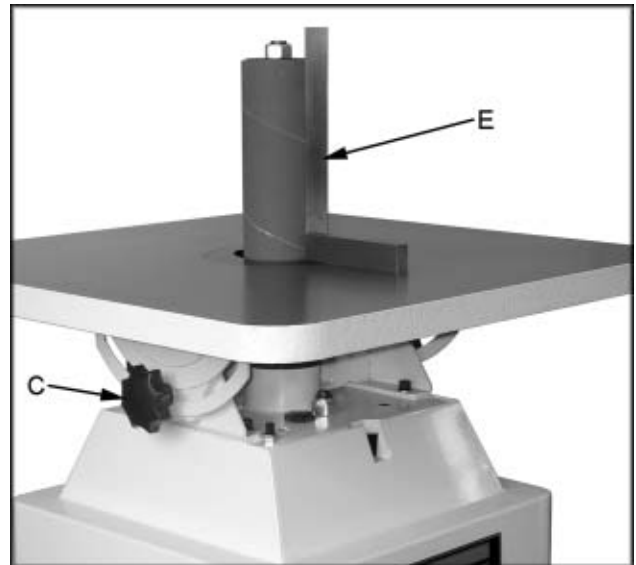


Fig. 5

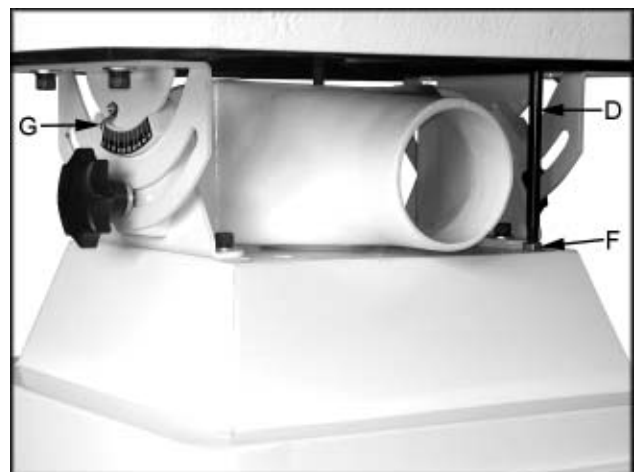


Fig. 6

## Replacing Sanding Sleeves

1. Loosen hex nut (A, Fig. 7) with a 26mm wrench, or large adjustable wrench.
2. Slide the sanding sleeve (B, Fig. 7) off the drum and replace with a new sanding sleeve. **Note:** If the sanding sleeve is not easily removed cut the sleeve off and clean the drum before reinstalling a new sleeve.
3. If you are replacing the sanding sleeves on the steel spindles loosen the set screw found on the arbor nut.
4. Remove sanding sleeve from the spindle and replace with a new sanding sleeve. **Note:** If the sanding sleeve is not easily removed cut the sleeve off and clean the drum before reinstalling a new sleeve.
5. Tighten the set screw.

## Dust Collection

In order to collect wood dust; attach a dust collection hose to the dust port. JET has a variety of dust collectors, air filtration units, hoses and adaptors, etc. that will work nicely with your new sander. Contact your local JET Distributor for more information.

## Maintenance

The manufacturer recommends replacing the 90 SAE gear lube at 800 hours of use.

1. Open the door on the back side of the machine to access the drain plug (C, Fig. 8). Use a 6mm hex wrench to remove the drain plug.
2. Refill oil through the oil cap (D, Fig. 9). The oil capacity is two quarts.
3. The oil sight glass (E, Fig. 8) should read between the "high" and "low" marks.

Keep the machine and all attachments clean.

All bearings are permanently lubricated and require no further service.

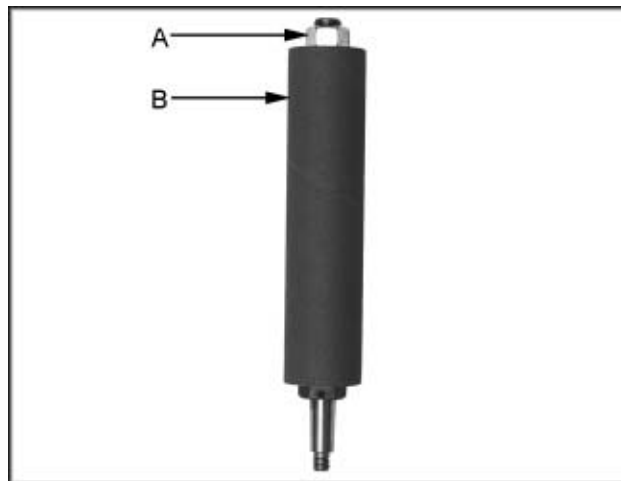


Fig. 7

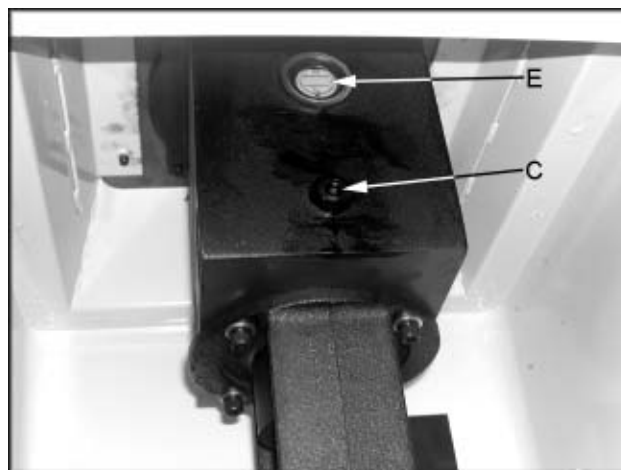


Fig. 8

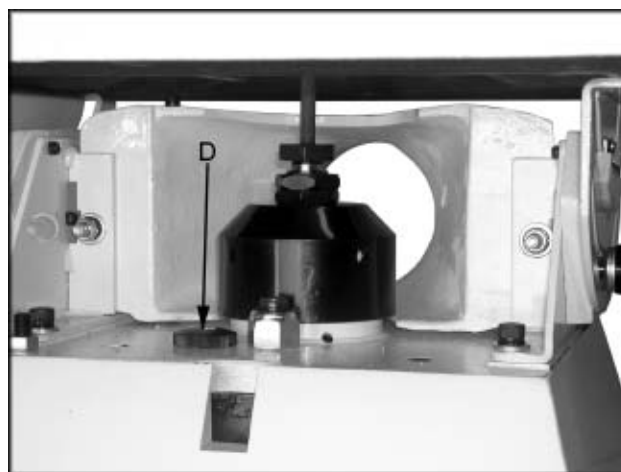


Fig. 9

## Troubleshooting

<b>Trouble</b>	<b>Possible Cause</b>	<b>Solution</b>
<b>Sander will not start</b>	<ol style="list-style-type: none"> <li>1. Sander unplugged from wall or motor</li> <li>2. Fuse blown or circuit breaker tripped</li> <li>3. Cord damaged</li> <li>4. Starting capacitor bad</li> </ol>	<ol style="list-style-type: none"> <li>1. Check all plug connections</li> <li>2. Replace fuse or reset circuit breaker</li> <li>3. Replace cord</li> <li>4. Replace starting capacitor</li> </ol>
<b>Sanding drum does not come up to speed</b>	<ol style="list-style-type: none"> <li>1. Extension cord too light or too long</li> <li>2. Low current</li> </ol>	<ol style="list-style-type: none"> <li>1. Replace with adequate size and length cord</li> <li>2. Contact a qualified electrician</li> </ol>
<b>Machine vibrates excessively</b>	<ol style="list-style-type: none"> <li>1. Stand or base on uneven surface</li> </ol>	<ol style="list-style-type: none"> <li>1. Adjust stand or base so that it rests evenly on the floor</li> </ol>
<b>Sanded edge not square</b>	<ol style="list-style-type: none"> <li>1. Table not square to sanding drum</li> </ol>	<ol style="list-style-type: none"> <li>1. Use a square to adjust table to sanding drum</li> </ol>
<b>Sanding marks on wood</b>	<ol style="list-style-type: none"> <li>1. Wrong grit sanding sleeve</li> <li>2. Feed pressure too great</li> </ol>	<ol style="list-style-type: none"> <li>1. Use coarser grit for stock removal and fine grit for finish sanding.</li> <li>2. Never force workpiece</li> </ol>



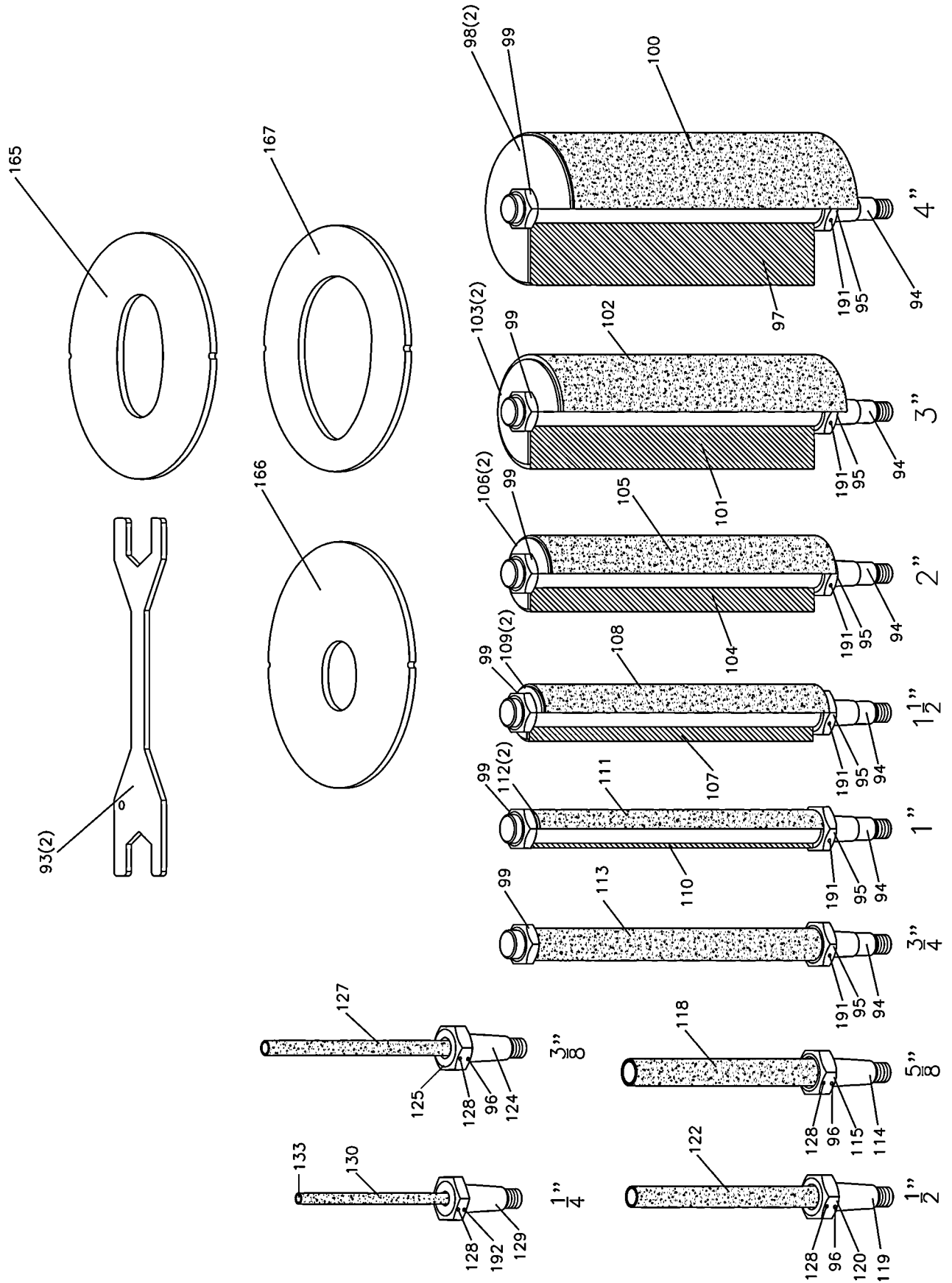
## Parts List for the JET JOVS-10

### Oscillating Spindle Sander

Index No.	Part No.	Description	Size	Qty.
7	OVS10-007	Power Cord		1
11	KEY5525	Key		1
18	OVS10-18	Oil Indicator		1
20	OS-30628	Oil Seal		1
21	BB-6206ZZ	Ball Bearing	6206ZZ	1
22	OVS10-022	C-Ring	RA63	1
22A	OVS10-022A	C-Ring	RA62	1
26	OVS10-026	Sleeve		1
27	OVS10-027	Guide Rail Shaft		1
28	BB-6205ZZ	Ball Bearing	6205LU	2
29	OVS10-029	Locking Nut		1
30	OVS10-030	Worm		1
31	OVS10-031	Spring Pin	5x30	1
32	OVS10-032	Main Shaft		1
33	KEY5550	Key	5x5x50	1
34	OVS10-034	Set Screw	M3x12	2
35	OVS10-035	Spur Gear		1
36	OVS10-036	Brass Bushing		2
37	TS-0208061	Socket Head Cap Screw	5/16"-18x1"	16
38	OVS10-038	Transmission Rod Shaft		2
39	OVS10-039	Transmission Rod		2
40	TS-0640091	Hex Nut, Nylon Lock	3/8"-16	4
47	OVS10-047	Switch Cord		1
52	OVS10-052	Locking Nut	5/8"-11	1
55	OVS10-055	Rear Trunnion Bracket		2
56	TS-0208082	Socket Head Cap Screw	5/16"-24x1-1/2"	10
64	OVS10-064	Oil Lid		1
66	OVS10-066	Hex Socket Cap Screw	3/8"-16x3/4"	4
67	TS-0680042	Flat Washer	3/8"	8
86	OVS10-086	Angle Pointer		1
87	OVS10-087	Pan Head Machine Screw	10-24x1/4"	1
88	OVS10-088	Cap		1
89	OVS10-089	Nut	15/16"-24 R.H	2
134	JOVS10-134	Oil Plug	PT1/4"	1
135	JOVS10-135	Brass Bushing Bracket		1
136	JOVS10-136	Shaft Brass Bushing		4
137	JOVS10-137	Knob	5/16"-18x3/4"	1
139	JOVS10-139W	Bracket Base		2
140	TS-0680032	Flat Washer	5/16"	24
141	TS-0051021	Cap Screw	5/16"-18x5/8"	6
142	JOVS10-142	Switch Box		1
143	JOVS10-143	Pan Head Machine Screw	3/16"-24x1-1/2"	2
143A	JOVS10-143A	Hex Nut	3/16"-24	2
144	JOVS10-144W	Vent Cover		1
145	JOVS10-145W	Base		1
146	JOVS10-146	Motor Bracket		1
147	JOVS10-147	Motor		1
	JOVS10-147MF	Motor Fan (not shown)		1
	JOVS10-147MFC	Motor Fan Cover (not shown)		1
	JOVS10-147CC	Capacitor Cover (not shown)		1

Index No.	Part No.	Description	Size	Qty.
	JOVS10-147RC	Running Capacitor (not shown)	45uf, 250V	1
	JOVS10-147SC	Starting Capacitor (not shown)	300MFD, 125VAC	1
148	JOVS10-148	Strain Relief Bushing		1
149	TS-0720081	Lock Washer	5/16"	20
151	JOVS10-151	Coupling Head		1
152	JOVS10-152	Tank		1
153	TS-0267041	Set Screw	1/4"-20x3/8"	2
154	JOVS10-154	Tank Lid		1
155	JOVS10-155	Switch Push Button		1
156	JOVS10-156W	Sanding Assembly Rack		2
158	JOVS10-158W	Rear Trunnion		2
159	JOVS10-159	Locking Knob	3/8"-16x3/4"	2
160	JOVS10-160W	Dust Cover		1
161	TS-0051061	Hex Bolt	5/16"-18x1-1/4"	2
162	TS-0561021	Hex Nut	5/16"-18	6
163	JOVS10-163W	Working Table		1
164	JOVS10-164	Scale		1
169	JOVS10-169	Fixed Rod		1
170	TS-0561031	Hex Nut	3/8"-16	2
171	JOVS10-171	Rubber Feet		4
172	JOVS10-172	Sinking Head Screw	5/16"-18x3/4"	4
174	JOVS10-174	JET Logo		1
177	JOVS10-177	Pan Head Screw	3/16"-24x3/8"	2
178	JOVS10-178	Switch		1
179	JOVS10-179	Spring Pin	3x22	1
180	JOVS10-180	Fiber Washer	3/8"	2
181	TS-0720091	Lock Washer	3/8"	4
182	TS-0271071	Set Screw	3/8"-16x3/4"	1
183	JOVS10-183	Warning Label		1
184	JOVS10-184	I.D Label		1
185	JOVS10-185	Motor Label		1
186	JOVS10-186	Rivet		4
187	TS-0267041	Set Screw	1/4"-20x3/8"	1
188	JOVS10-188	Star Washer	3/16"	2
189	TS-0680011	Flat Washer	3/16"	1
190	TS-0267021	Set Screw	1/4"-20x1/4"	4

# Sanding Assemblies



## Sanding Assemblies

Index No.	Part No.	Description	Size	Qty.
93	OVS10-093	Wrench		2
94	OVS10-094A	Arbor	3/4"	6
95	OVS10-095	Hex Nut		6
96	OVS10-096	Spring Pin	3.5x25	3
97	30105000J	P.V.C.	4"	1
98	OVS10-098	Washer	4"	2
99	OVS10-099	Nut	3/4"-16"	6
100	575834	Sanding Sleeve (60 Grit)	4"	
	575835	Sanding Sleeve (80 Grit)	4"	
	575836	Sanding Sleeve (100 Grit)	4"	
101	30105000I	P.V.C.	3"	1
102	575830	Sanding Sleeve (60 Grit)	3"	
	575831	Sanding Sleeve (80 Grit)	3"	
	575832	Sanding Sleeve (100 Grit)	3"	
103	OVS10-103	Washer	3"	2
104	30105000H	P.V.C.	2"	1
105	575826	Sanding Sleeve (60 Grit)	2"	
	575827	Sanding Sleeve (80 Grit)	2"	
	575828	Sanding Sleeve (100 Grit)	2"	
106	OVS10-106	Washer	2"	2
107	30105000G	P.V.C.	1-1/2"	1
108	575822	Sanding Sleeve (60 Grit)	1-1/2"	
	575823	Sanding Sleeve (80 Grit)	1-1/2"	
	575824	Sanding Sleeve (100 Grit)	1-1/2"	
109	OVS10-109	Washer	1-1/2"	2
110	30105000F	P.V.C.	1"	1
111	575818	Sanding Sleeve (60 Grit)	1"	
	575819	Sanding Sleeve (80 Grit)	1"	
	575820	Sanding Sleeve (100 Grit)	1"	
112	OVS10-112	Washer	1"	2
113	575814	Sanding Sleeve (60 Grit)	3/4"	
	575815	Sanding Sleeve (80 Grit)	3/4"	
	575816	Sanding Sleeve (100 Grit)	3/4"	
114	OVS10-114A	Arbor	5/8"	1
115	OVS10-115	Hex Nut	5/8"	1
118	575810	Sanding Sleeve (60 Grit)	5/8"	
	575811	Sanding Sleeve (80 Grit)	5/8"	
	575812	Sanding Sleeve (100 Grit)	5/8"	
	575813	Sanding Sleeve (120 Grit)	5/8"	
119	OVS10-119A	Arbor	1/2"	1
120	OVS10-120	Hex Nut	1/2"	1
122	575806	Sanding Sleeve (60 Grit)	1/2"	
	575807	Sanding Sleeve (80 Grit)	1/2"	
	575808	Sanding Sleeve (100 Grit)	1/2"	
	575809	Sanding Sleeve (120 Grit)	1/2"	
124	OVS10-124A	Arbor	3/8"	1
125	OVS10-125	Hex Nut	3/8"	1
127	575802	Sanding Sleeve (60 Grit)	3/8"	
	575803	Sanding Sleeve (80 Grit)	3/8"	
	575804	Sanding Sleeve (100 Grit)	3/8"	
128	OVS10-117	Set Screw	3/16"-24x1/4"	4
129	OVS10-129	Arbor		1



<b>Index No.</b>	<b>Part No.</b>	<b>Description</b>	<b>Size</b>	<b>Qty.</b>
130	575800	Sanding Sleeve (100 Grit)	1/4"	1
	575801	Sanding Sleeve (120 Grit)	1/4"	1
133	OVS10-133A	Spindle		1
165	JOVS10-165	Table Insert (medium)		1
166	JOVS10-166	Table Insert (small)		1
167	JOVS10-167	Table Insert (Large)		1
191	JOVS10-191	Spring Pin	5x25	6
192	JOVS10-192	Spring Pin	3x25	1

# Wiring Diagram

